

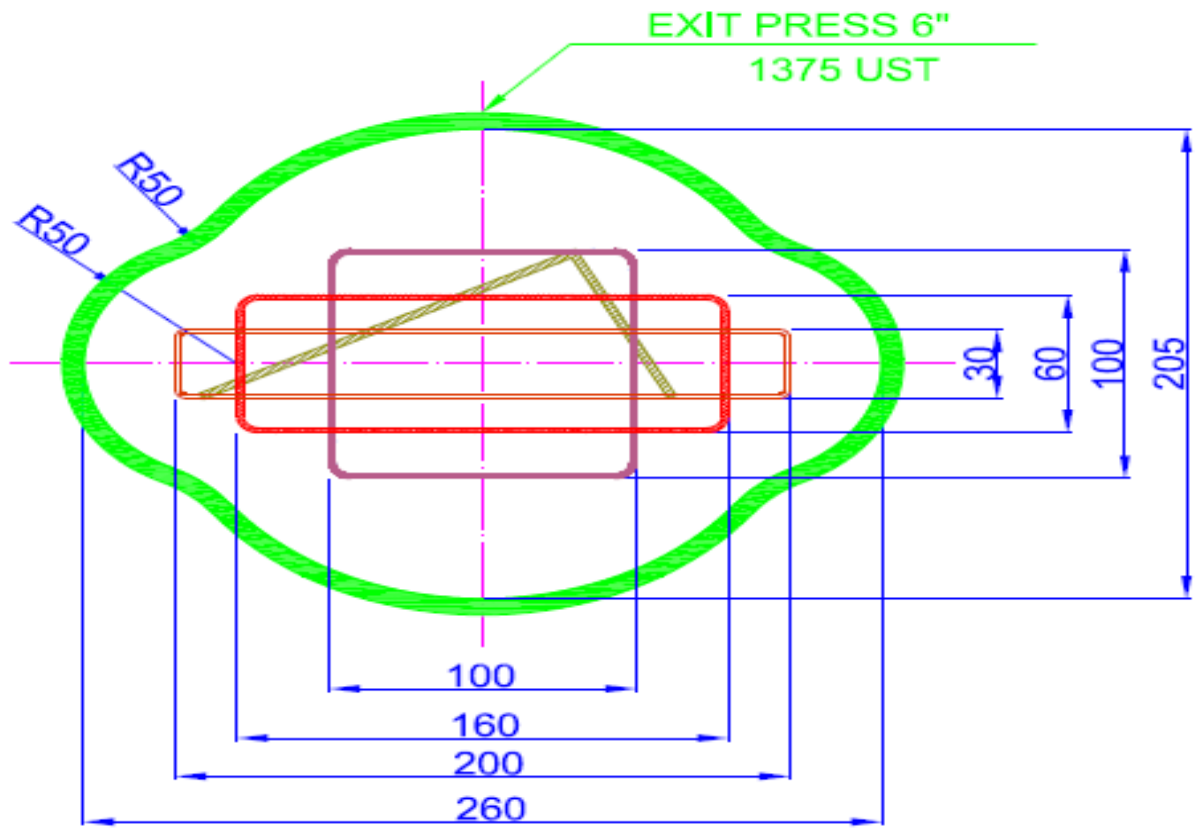
Alloy 6060 (AlMgSi) - Mechanical						
Extruded Bars						
Temper	Dimensions mm	Rm MPa		Rp0.2 Mpa		A50mm %
		min	max	min	max	min
T4	≤150	120	*	60	*	14
T5	≤150	160	*	120	*	6
T6	≤150	190	*	150	*	6
T66	≤150	215	*	160	*	6
Extruded Pipes, Tubes						
Temper	Wall Thickness	Rm MPa		Rp0.2 Mpa		A50mm %
		min	max	min	max	min
T4	≤15	120	*	60	*	14
T5	≤15	160	*	120	*	6
T6	≤15	190	*	150	*	6
T66	≤15	215	*	160	*	6
Extruded profiles						
Temper	Wall Thickness	Rm MPa		Rp0.2 Mpa		A50mm %
		min	max	min	max	min
T4	≤25	120	*	60	*	14
T5	0<5	160	*	120	*	6
	5≤25	140	*	100	*	6
T6	0<3	190	*	150	*	6
	3≤25	170	*	140	*	6
T66	0≤3	215	*	160	*	6
	3≤25	195	*	150	*	6

Alloy 6063 (AlMg0.7Si) - Mechanical						
Extruded Bars						
Temper	Dimensions mm	Rm MPa		Rp0.2 Mpa		A50mm %
		min	max	min	max	min
T4	≤150	130	*	65	*	12
	150≤200	120	*	65	*	*
T5	≤200	175	*	130	*	6
	≤150	215	*	170	*	8
T6	≤150	195	*	160	*	*
	150≤200	195	*	160	*	*
T66	≤200	245	*	200	*	8
Extruded Pipes, Tubes						
Temper	Wall Thickness	Rm MPa		Rp0.2 Mpa		A50mm %
		min	max	min	max	min
T4	≤10	130	*	65	*	12
	10≤25	120	*	65	*	10
T5	≤25	175	*	130	*	6
T6	≤25	215	*	170	*	8
T66	≤25	245	*	200	*	8
Extruded profiles						
Temper	Wall Thickness	Rm MPa		Rp0.2 Mpa		A50mm %
		min	max	min	max	min
T4	≤25	130	*	65	*	12
	≤3	175	*	130	*	6
T5	3≤25	160	*	110	*	5
	≤10	215	*	170	*	6
T6	10≤25	195	*	160	*	6
	≤10	245	*	200	*	6
T66	≤10	245	*	200	*	6
	10≤25	225	*	180	*	6

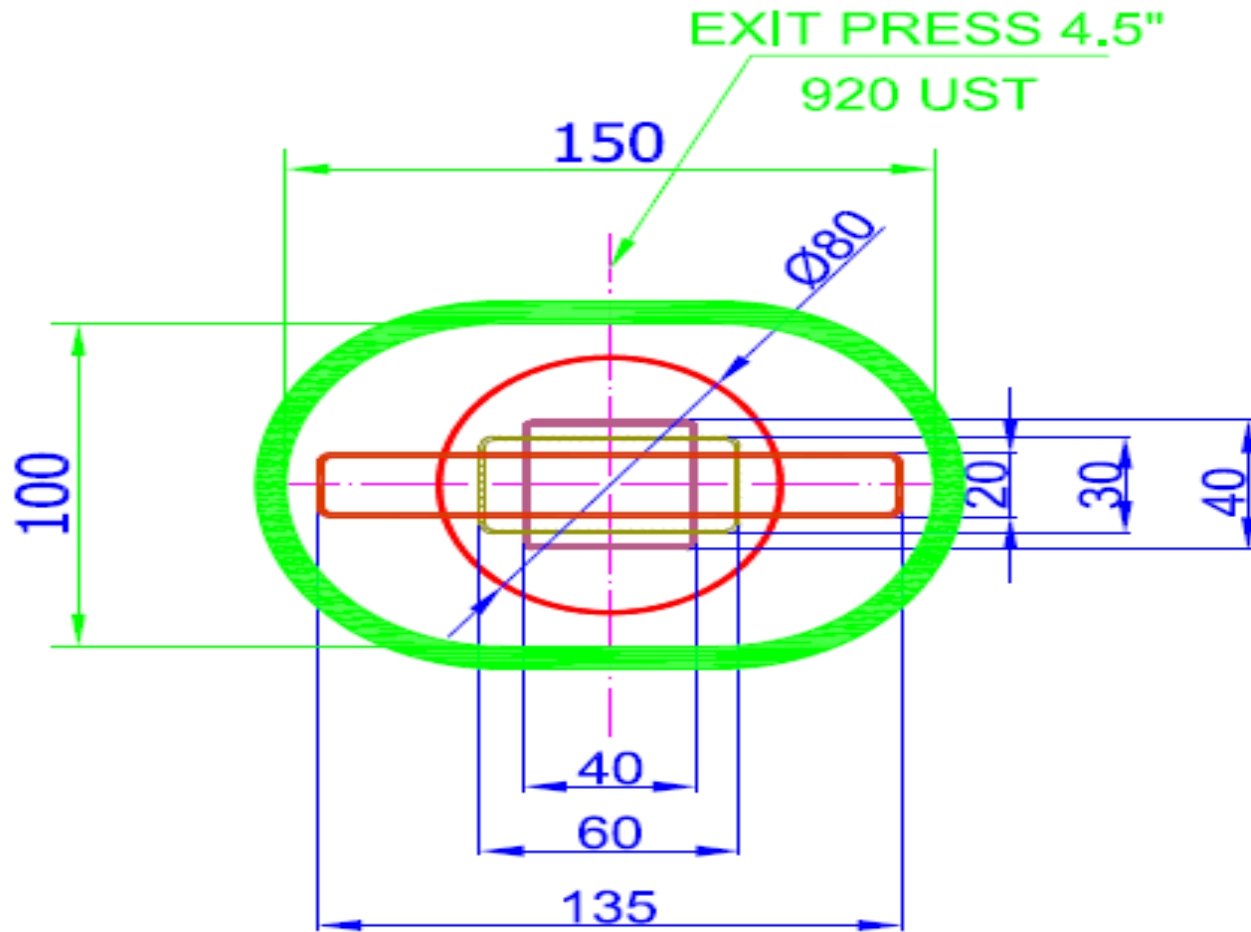
Alloy 6005 (AlSiMg) - Mechanical characteristics							
Extruded Bars							
Temper	Diameter for round bars	Wall Thickness, Side Disclosure	Rm MPa		Rp0.2 Mpa		A50mm %
			min	max	min	max	min
T6	≤25	≤150	270	*	225	*	8
	25≤50		270	*	225	*	*
	50≤100		260	*	215	*	*
Extruded Pipes, Tubes							
Temper	Wall Thickness	Rm MPa		Rp0.2 Mpa		A50mm %	
		min	max	min	max	min	
T6	≤5	270	*	225	*	6	
	5≤10	260	*	215	*	6	
Extruded profiles							
Temper	Wall Thickness	Rm MPa		Rp0.2 Mpa		A50mm %	
		min	max	min	max	min	
Open profile T4	≤25	180	*	90	*	13	
	≤5	270	*	225	*	6	
	5≤10	260	*	215	*	6	
T6	10≤25	250	*	200	*	6	
	Closed profile T4	≤10	180	*	90	*	13
T6		≤5	255	*	215	*	6
		5≤15	250	*	200	*	6

Alloy 6082 (AlSi1MgMn) - Mechanical						
Extruded Bars						
Temper	Dimensions mm	Rm MPa		Rp0.2 Mpa		A50mm %
		min	max	min	max	min
T4	≤200	205	*	110	*	12
T6	≤20	295	*	250	*	6
	20≤150	310	*	260	*	*
	150≤200	280	*	240	*	*
	200≤250	270	*	200	*	*
Extruded Pipes, Tubes						
Temper	Wall Thickness	Rm MPa		Rp0.2 Mpa		A50mm %
		min	max	min	max	min
T4	≤25	205	*	110	*	12
T6	≤5	290	*	250	*	6
	5≤25	310	*	260	*	8
Extruded profiles						
Temper	Wall Thickness	Rm MPa		Rp0.2 Mpa		A50mm %
		min	max	min	max	min
T4	≤25	205	*	110	*	12
Open profile T5	≤5	270	*	230	*	6
	T6	≤5	290	*	250	*
5≤25		310	*	260	*	8
Closed profile T5	≤5	270	*	230	*	6
	T6	≤5	290	*	250	*
5≤15		310	*	260	*	8

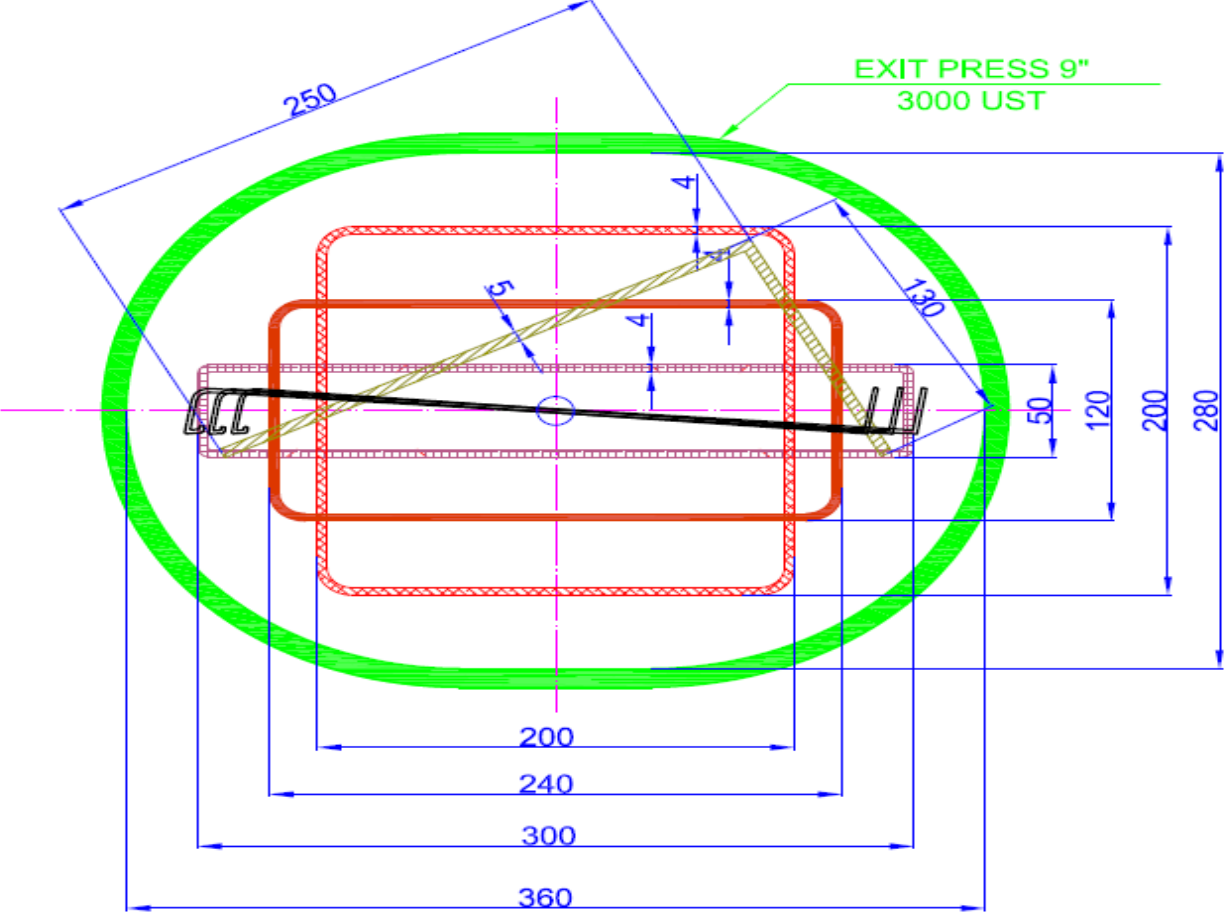
PRESS 1



PRESS 2



PRESS 3



PRESS 4 - 3000 METRIC TONES

